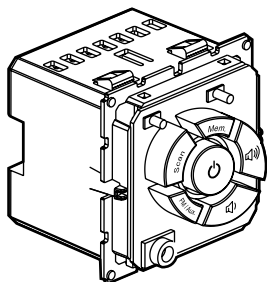
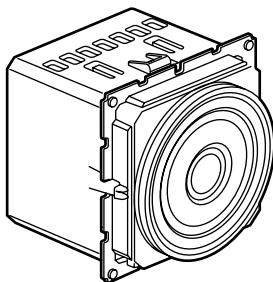


Céliane™
1-zone sound distribution system

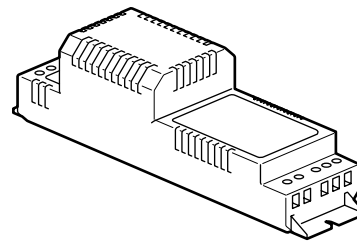
Cat. Nos: 673 20/21/22



673 20



673 21



673 22

1. USE

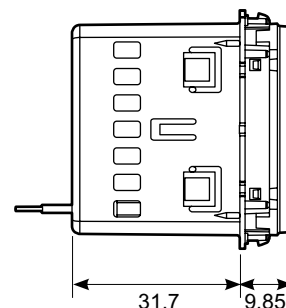
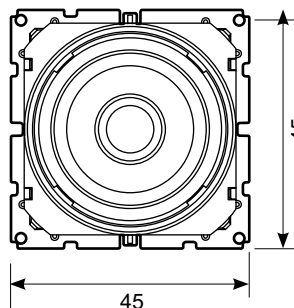
System that broadcasts FM radio or a music source plugged into its auxiliary input in a single room in mono or stereo mode.

2. RANGE

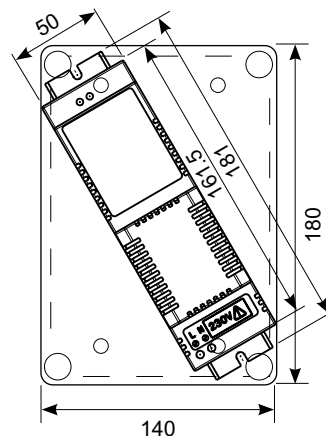
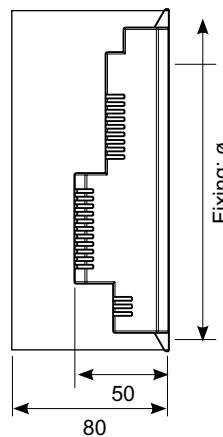
	Designation	Cat. No.	Fixing	Technical data	Weight (g)
	Tuner	673 20	Claw/screw	2 x 1 W - 16 ohms Connection of loudspeakers of 4 to 16 ohms. Auxiliary connection via a Ø 3.5-mm stereo jack socket (min. input level: 80 mV ms). Antenna wire supplied (length about 75 cm). Programmable stop.	48
	Power supply for tuner with integrated loudspeaker	673 21	Claw/screw	Input voltage: 115-230 V~ Output voltage: 12 V = Power: 2.5 W Loudspeaker power: 1 W Impedance: 16 ohms	45
	Tuner power supply for false ceiling	673 22	Has to be fitted in a Plexo box Cat. no. 920 52	Input voltage: 230 V~ Output voltage: 15 V= Power: 3.5 W	520

3. OVERALL DIMENSIONS (cont'd)

673 21



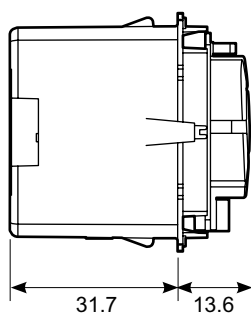
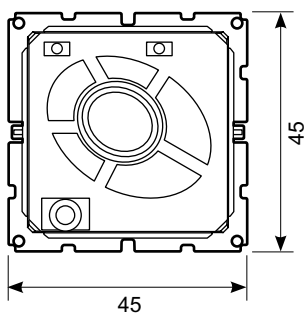
673 22



Installed in box Cat. No. 920 52

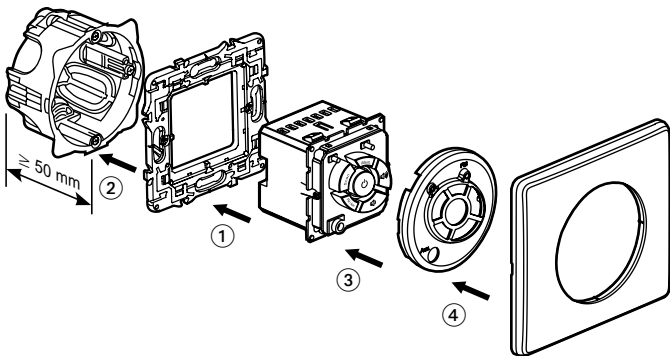
3. OVERALL DIMENSIONS

673 20



1-zone sound distribution system

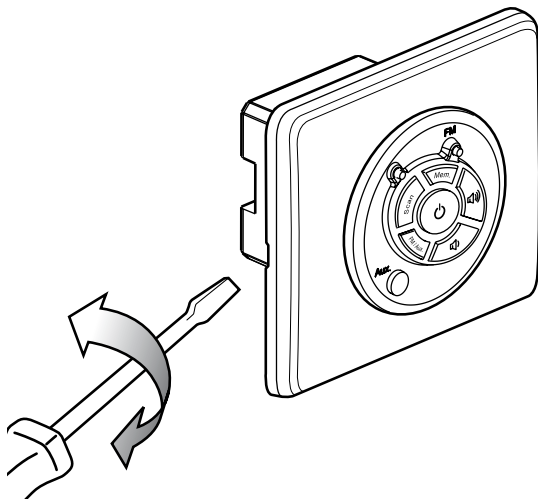
4. FITTING



- 1 - The mechanism is clipped to the support frame from the front.
- 2 - The mechanism/support frame assembly is screwed to the flush-mounting box.
- 3 - The cover plate is clipped to the mechanism.
- 4 - The frame plate is clipped to the support frame.

Can be fitted with the full range of Céliane finishings.
Vertical and horizontal multi-gang mounting.

4.1 Dismantling



5. CONNECTION

	673 20	673 21	673 22
Type of screwdriver	Flat-blade (3 mm)	Flat-blade (3 mm)	Flat-blade (3 mm)
Type of terminal	Tunnel	Tunnel	Tunnel
Power supply terminal capacity (mm ²):	Min.: 1 Max.: 2.5	Min.: 1 Max.: 2.5	Min.: 1 Max.: 2.5
Loudspeaker wires - cross-section (mm ²):	Min.: 0.25 Max.: 1	Min.: 0.25 Max.: 1	/

Option of connecting a FM antenna to the stereo FM tuner 673 20 using a wire with cross-section 2.5 mm².

- Max. distance of 25 m between the tuner and the loudspeaker using a 1-mm² wire.

6. TECHNICAL DATA

6.1 Mechanical characteristics

Impact tests: IK 02

Penetration by solid/liquid bodies: IP 21

- Power supply in false ceiling: 673 22

Impact tests: NA

Penetration by solid/liquid bodies: IP 20

6.2 Matériel characteristics

Mechanism:

	673 20 Tuner	673 21 Power supply + loudspeakers	673 22 Power supply for false ceiling
Base	Polycarbonate RAL 7016	Polycarbonate RAL 7016	Polyamide
Keys	Silicone RAL 7038	/	/

6.3 Electrical characteristics

Self-extinguishing - Live parts: 850° C / 30 s, others 650° C / 30 s.

The data is saved in the event of a power cut.

6.4 Climatic characteristics

Storage temperature: - 25°C to + 70°C

Operating temperature: - 5°C to + 45°C



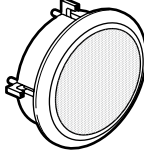

7. CLEANING

No cleaning.

8. CONFORMITY - APPROVALS

Compliant with standard 50090-2-2

9. ACCESSORIES

	Designation	Cat. No.	Fixing	Technical data
	Wall-mounting 2" loudspeakers	673 28	Fits into flush-mounting boxes	2 W - 16 Ohms
	2" loudspeakers (Ø 80 mm) Spot type	673 27	Strips Springs	2 W - 16 Ohms White
	Standard 6.5" flush-mounting loudspeaker	673 29	Flush-mounting	100 W - 8 Ohms White
	Loudspeaker socket	673 11	Claws/screws	Connection of loudspeakers with any impedance